

## TROUBLESHOOTING

Issues	Measures
The spray nozzle does not have water	<ol style="list-style-type: none"> <li>1. The water supply is cut off</li> <li>2. The angle valve is closed</li> <li>3. The spray nozzle is clogged</li> <li>4. Low water pressure</li> <li>5. Water supply pipe or tubing is bent</li> </ol>
Low water pressure	<ol style="list-style-type: none"> <li>1. Water flow control knob is turned to low</li> <li>2. Check all hoses and pipes for bends</li> </ol>
The Water is not hot enough	<ol style="list-style-type: none"> <li>1. The temperature control knob is adjusted to cold water range</li> <li>2. The temperature of hot water source is too low</li> <li>3. The angle valve for hot water is closed</li> </ol>

## SPECIFICATIONS

Model	KBS1301
Voltage	Non-electric
Water Supply Mode	Connect to hot water supply and cold water supply pipe directly
Angle of nozzle	Adjustable
Water Temperature for self cleaning	Cold and Hot Water
Self Cleaning	Yes
Water Temperature	3 ~ 35 °C
Water Pressure	10 - 85psi
Distance between holes axis	138 ~ 202 mm
Item Size	430x245x103mm

## WARNINGS

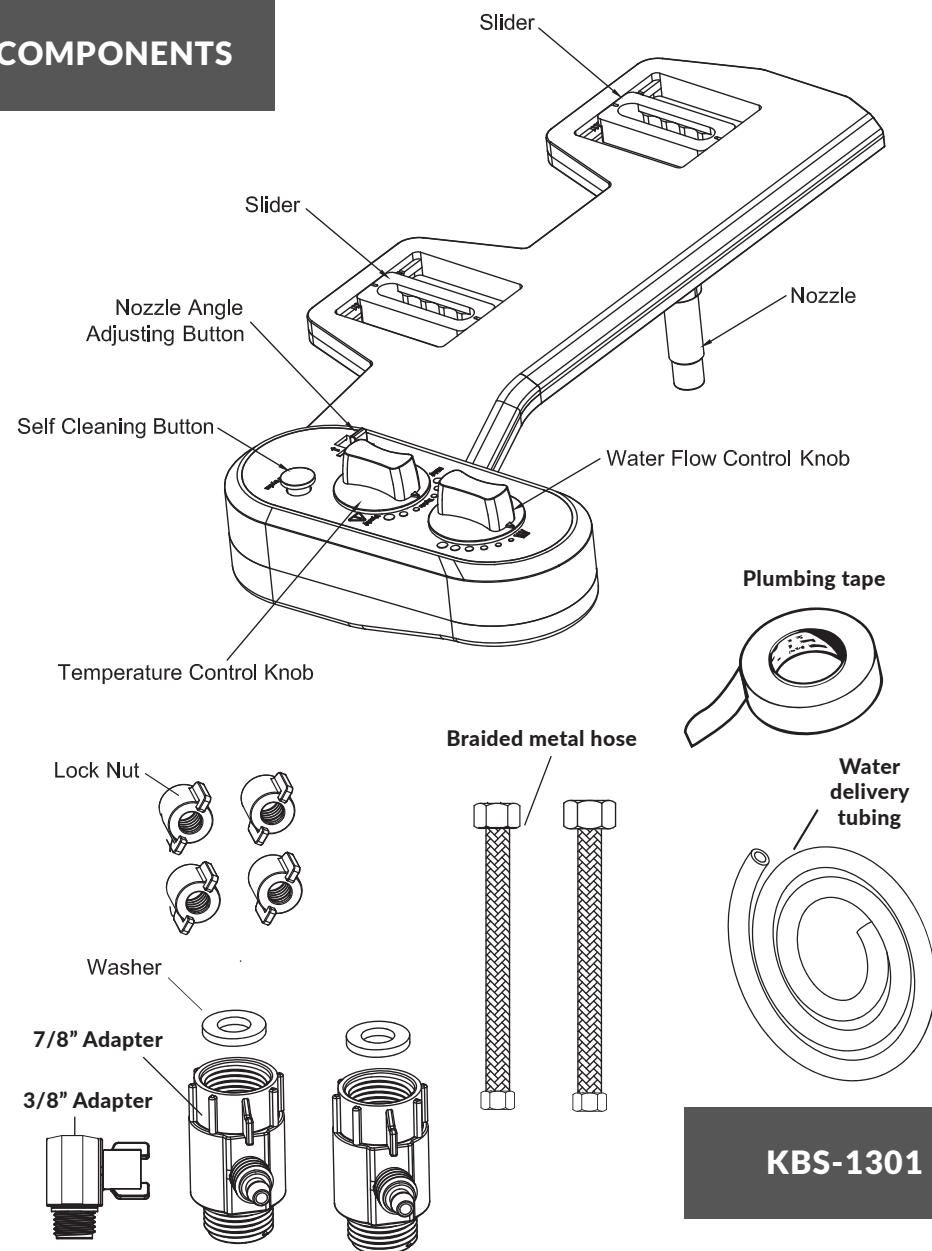
Could scald or burn when using bidet with hot water. Verify water heater temperature and adjust temperature down accordingly. Take care when exposing infants, children, or invalids to warm or hot water as they can be badly burned quickly and at shorter exposure times. Do not climb on, stand on or place heavy objects on the Attachable Bidet. It is not designed to support this weight. You may be injured, break or damage the Attachable Bidet. Never attempt to disassemble, reassemble, repair or modify the Attachable Bidet. Tampering with or disassembling the Attachable Bidet voids the warranty. Use the Attachable Bidet ONLY for its intended use as per instructions. Only connect the Attachable Bidet to a drinking quality water supply at a pressure between 10-85 psi.

## ONE (1) YEAR LIMITED WARRANTY

Our Bidet was carefully tested before shipment from the Manufacturer, who warrants this product to be free from defects from materials and workmanship for a period of one (1) year from the Date of purchase, from the distributor. THIS WARRANTY EXCLUDES THE FOLLOWING: 1) Replacement of discolored or used parts from chemicals used for cleaning or water discoloration. 2) Damages as a cause of a malfunction of the unit resulting from improper installation, negligence, misuse, abuse or tampering by unauthorized repair personnel. 3) Neither the manufacturer or distributor can under no circumstance be held liable for any loss or damage be it direct, consequential or incidental arising out of the use of or inability to use this product. (Some States do not allow this exclusion.) 4) This product must be used at the owner's risk. Therefore, the owner hereby releases the manufacturer and distributor from any and all claims for damage where the above conditions exist. 5) The owner hereby releases the distributor from any and all claims from the installation and misreading or misinterpretation of the installation instructions included with this product.

# KLEEN BIDET SPA™ DUAL TEMPERATURE INSTALLATION MANUAL

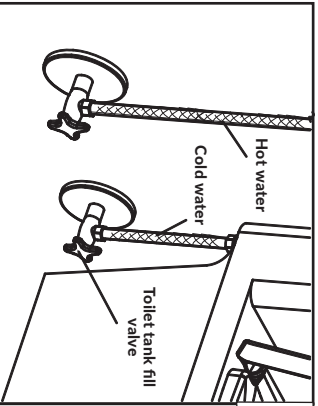
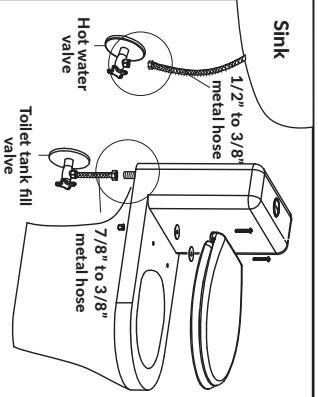
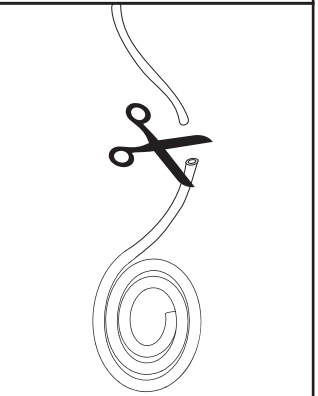
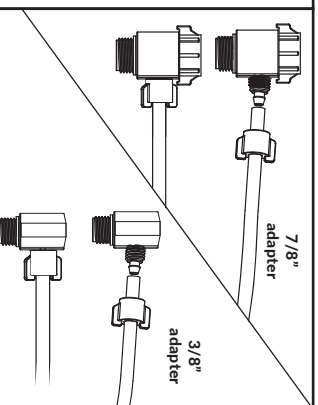
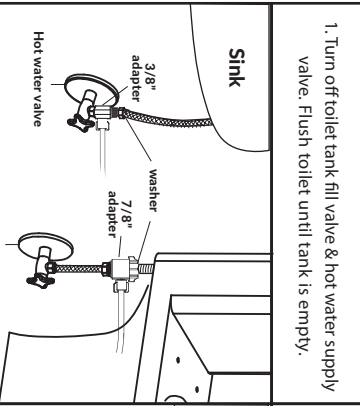
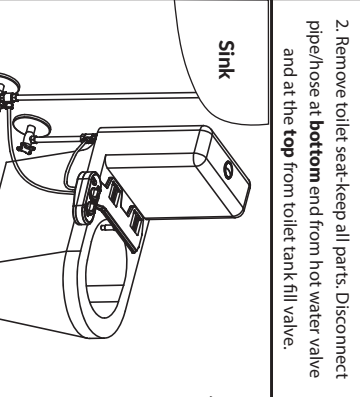
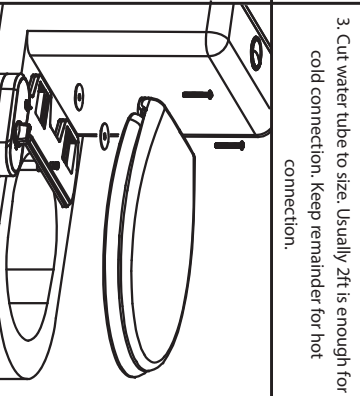
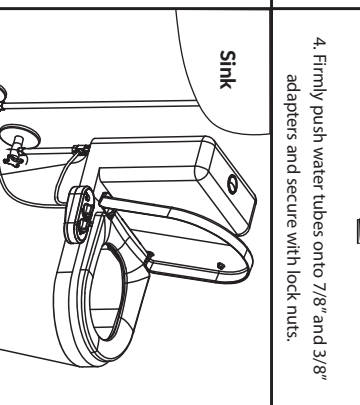
## COMPONENTS



KBS-1301

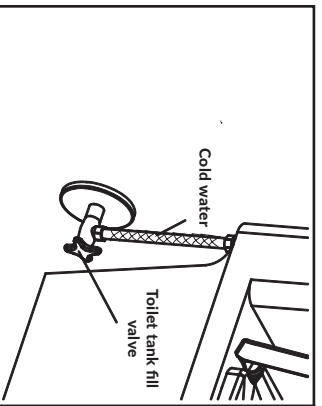
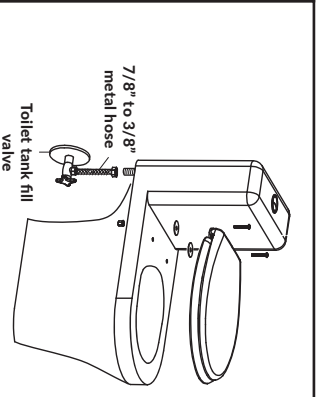
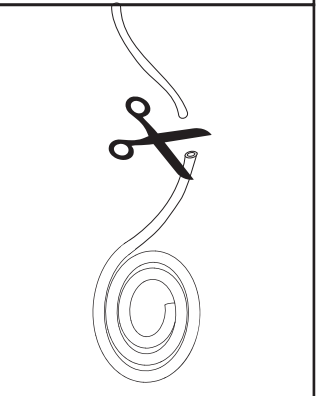
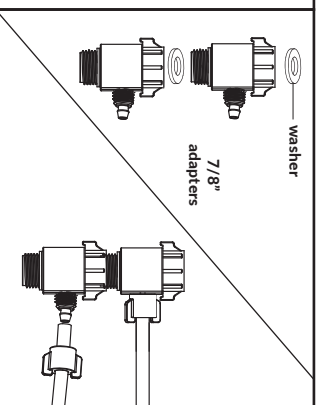
# DUAL TEMPERATURE INSTALLATION

\* Use plumbing tape on all connections and do not over-tighten connections

 <p>Hot water Cold water Toilet tank fill valve</p>	 <p>Sink 1/2" to 3/8" metal hose Hot water valve Toilet tank fill valve 7/8" to 3/8" metal hose</p>		 <p>7/8" adapter 3/8" adapter</p>
 <p>Sink 3/8" adapter washer 7/8" adapter Hot water valve Toilet tank fill valve</p>	 <p>Sink Toilet tank fill valve</p>		 <p>Sink Toilet tank fill valve</p>
<p>1. Turn off toilet tank fill valve &amp; hot water supply valve. Flush toilet until tank is empty.</p>	<p>2. Remove toilet seat. Keep all parts. Disconnect pipe/hose at <b>bottom</b> end from hot water valve and at the <b>top</b> from toilet tank fill valve.</p>	<p>3. Cut water tube to size. Usually 2ft is enough for cold connection. Keep remainder for hot connection.</p>	<p>4. Firmly push water tubes onto 7/8" and 3/8" adapters and secure with lock nuts.</p>
<p>5. Insert washers and connect 7/8" adapter to toilet tank fill valve and connect 3/8" adapter to hot water supply valve and reattach metal hoses.</p>	<p>6. Connect hot water tube to hot water inlet of the bidet and connect cold water tube to cold water inlet of the bidet.</p>	<p>7. Re-attach toilet seat to fixture using original hardware.</p>	<p>8. Slowly turn water back on. Test connections for leaks. Add plumbing tape if leaks detected.</p>

# INSTALL AS COLD WATER ONLY (OPTIONAL)

\* Use plumbing tape on all connections and do not over-tighten connections

 <p>Cold water Toilet tank fill valve</p>	 <p>7/8" to 3/8" metal hose Toilet tank fill valve</p>		 <p>washer 7/8" adapters</p>
<p>5. Connect the coupled 7/8" adapters to water tank fill valve and reattach metal hose.</p>	<p>6. Connect both water tubes from coupled adapters to both water inlets on underside of bidet unit (hot inlet and cold inlet).</p>	<p>7. Re-attach toilet seat to fixture using original hardware.</p>	<p>8. Slowly turn water back on. Test connections for leaks. Add plumbing tape if leaks detected.</p>
<p>1. Turn off toilet tank fill valve. Flush toilet until tank is empty.</p>	<p>2. Remove toilet seat keeping all the parts. Disconnect pipe/hose from toilet tank fill valve.</p>	<p>3. Cut water tube to size. Usually 2ft is enough for cold connections. You will need two parts of water tubing to make two connections.</p>	<p>4. Stack two 7/8" adapters together. Firmly push water tubes onto both adapters and secure with nuts.</p>