

INSTALLATION MANUAL

TROUBLESHOOTING

Issues	Measures
The spray nozzle does not have water	<ol style="list-style-type: none"> 1. The water supply is cut off 2. The angle valve is closed 3. The spray nozzle is clogged 4. Low water pressure 5. Water supply pipe or tubing is bent
Low water pressure	<ol style="list-style-type: none"> 1. Water flow control knob is turned to low 2. Check all hoses and pipes for bends

SPECIFICATIONS

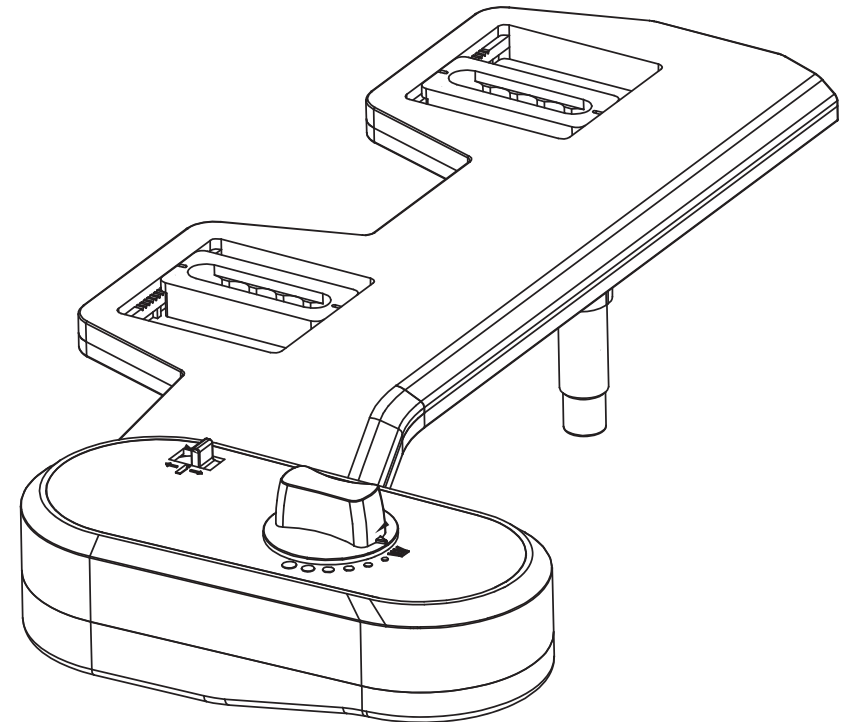
Model	KBS1300
Voltage	Non-electric
Water Supply Mode	Connect to cold water supply pipe directly
Angle of nozzle	Adjustable
Water Temperature	3 ~ 35 °C
Water Pressure	10 - 85psi
Distance between holes axis	138 ~ 202 mm
Item Size	430x245x103mm

WARNINGS

Do not climb on, stand on or place heavy objects on the Attachable Bidet. It is not designed to support this weight. You may be injured, break or damage the Attachable Bidet. Never attempt to disassemble, reassemble, repair or modify the Attachable Bidet. Tampering with or disassembling the Attachable Bidet voids the warranty. Use the Attachable Bidet ONLY for its intended use as per instructions. Only connect the Attachable Bidet to a drinking quality water supply at a pressure between 10-85 psi.

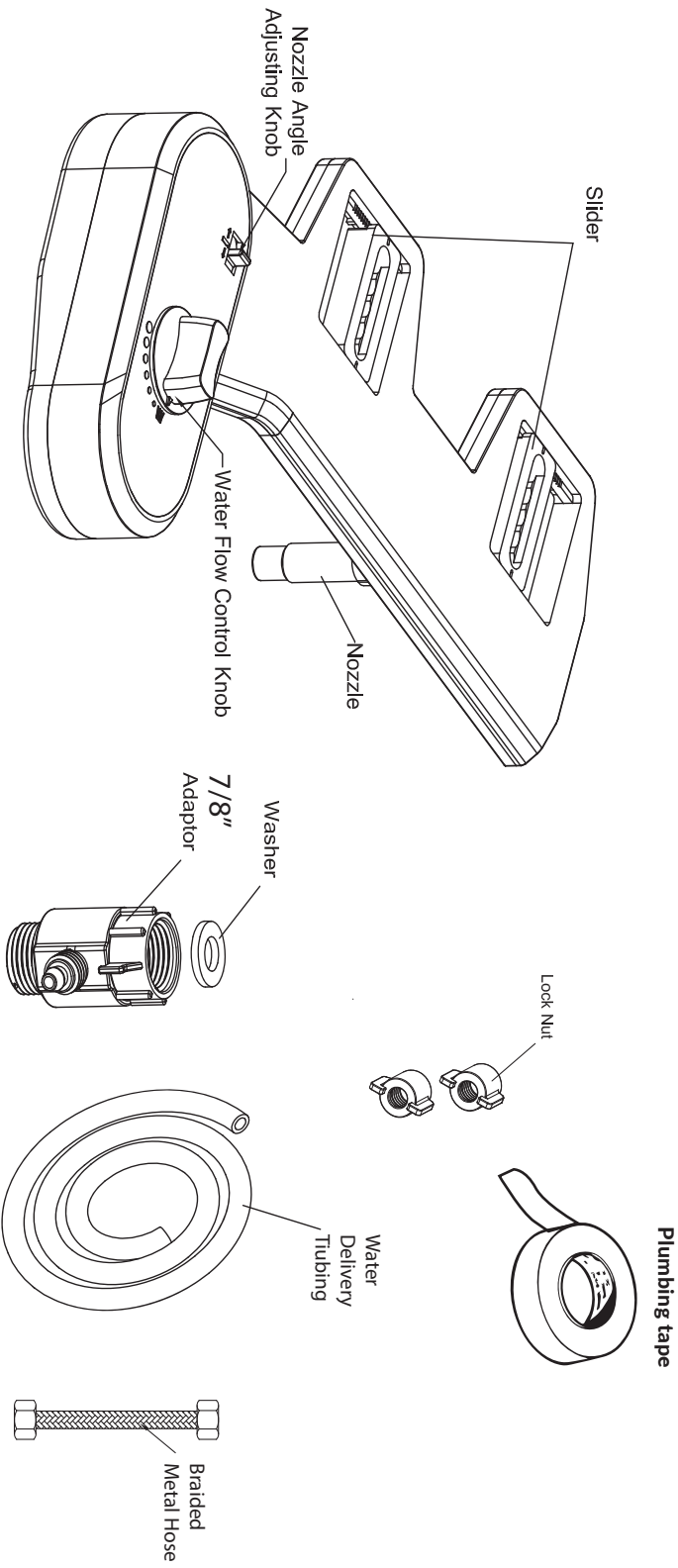
ONE (1) YEAR LIMITED WARRANTY

Our Bidet was carefully tested before shipment from the Manufacturer, who warrants this product to be free from defects from materials and workmanship for a period of one (1) year from the Date of purchase, from the distributor. THIS WARRANTY EXCLUDES THE FOLLOWING: 1) Replacement of discolored or used parts from chemicals used for cleaning or water discoloration. 2) Damages as a cause of a malfunction of the unit resulting from improper installation, negligence, misuse, abuse or tampering by unauthorized repair personnel. 3) Neither the manufacturer or distributor can under no circumstance be held liable for any loss or damage be it direct, consequential or incidental arising out of the use of or inability to use this product. (Some States do not allow this exclusion.) 4) This product must be used at the owner's risk. Therefore, the owner hereby releases the manufacturer and distributor from any and all claims for damage where the above conditions exist. 5) The owner hereby releases the distributor from any and all claims from the installation and misreading or misinterpretation of the installation instructions included with this product.



KBS-1300

COMPONENTS



KLEEN BIDET SPA INSTALLATION

* Use plumbing tape on all connections and do not over-tighten connections

<p>1. Turn off toilet tank fill valve. Flush toilet until tank is empty.</p>	<p>2. Remove toilet seat keeping all the parts. Disconnect pipe/hose from toilet tank fill valve.</p>	<p>3. Cut water tube to size. Usually 2ft is enough to reach from toilet tank fill valve to bidet unit.</p>	<p>4. Firmly push water tube onto the 7/8" adaptor and secure with nut.</p>
<p>5. Connect the 7/8" adapter to water tank fill valve and reattach metal hose.</p>	<p>6. Connect water tube from adapter to both cold water inlet on underside of bidet unit.</p>	<p>7. Re-attach toilet seat to fixture using original hardware.</p>	<p>8. Slowly turn water back on. Test connections for leaks. Add plumbing tape if leaks detected.</p>